

PRODUCT DATA SHEET

30W Three Head LED Security Light



AREAS OF APPLICATION

- General illumination
- Suitable for Outdoor applications

PRODUCT Highlights

- Easy installation
- Using high-brightness LED chip, energy saving and environmental protection, stable lighting, long service life
- Optical grade lampshade, good light, anti-aging, not easy to damage
- High thermal conductivity aluminum alloy shell, good heat dissipation, vacuum dust-free spraying, anti-corrosion, no peeling
- Strict waterproof treatment technology, in line with international waterproof and dustproof standards
- Radiation protection design, will not affect the lighting effect due to weather
- Charming appearance and fashionable

Product Features

- LED classic induction lighting function
- Color temperature: 5000K
- Life time: more than 30000h
- Contains no mercury
- Working environment: Dry Location, Damp Location, wet location



TECHNICAL PARAMETERS

Electrical data

| | |
|---------------------|--|
| Power supply | Constant current power supply+Auto body sensor |
| Working frequency | 50/60HZ |
| Rated wattage | 30W |
| Power factor | >0.9 |
| Rated voltage | 120V |
| Equiv. Power of CLF | 250W |

Beam angle

| | |
|-----------------------------|--------------------|
| Chip Brand and model | SMD2835 |
| Quantity of lamp beads | 42 |
| Directional color | White light |
| Color temperature deviation | Meet DLC standards |
| Color temperature | 5000K |
| Lumen | 3000 lm |
| Light efficiency | 100 lm/W |
| CRI | >80 |
| Beam angle | 100° |

Lighting technical parameters

| | |
|---------------|------------------------|
| Start Time | < 1 s |
| Light control | Body induction control |

lifetime

| | |
|----------------------------|---------|
| Number of switching cycles | 10000 |
| Rated lifetime | 30000 h |

Other product data

| | |
|-----------------|--|
| Shell | High thermal conductivity aluminum alloy |
| Cover | Transparent PC |
| Without Mercury | Yes |
| Product Notes | – |
| Lamp holder | – |

Functions

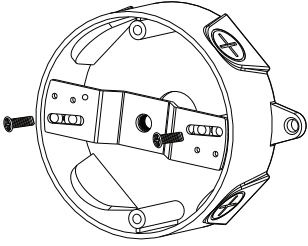
| | |
|---------------------------------------|----|
| Dimmable | No |
| Compatible with smart home technology | No |

Certificates and standards

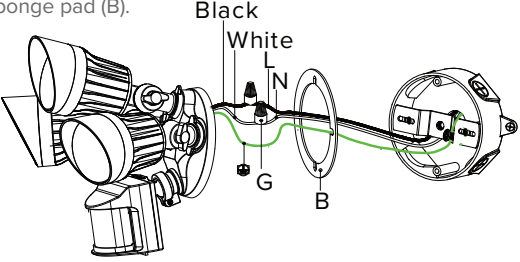
| | |
|---------------|---------|
| Certification | ETL DLC |
|---------------|---------|

Product installation

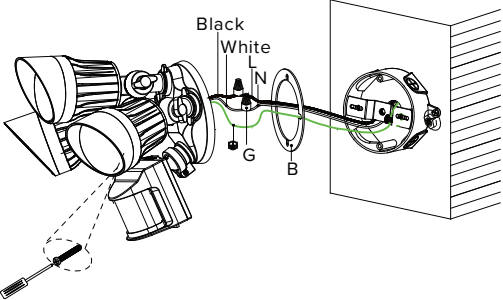
1. Install the bracket, align the bracket holes with the junction box holes, and lock the bracket with the junction box set screw.



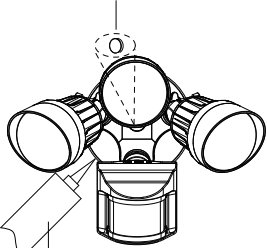
2. Connect the wires to the lamp body and connect the wires on the lamp body to the wires in the junction box via terminal (G). These wires must pass through the sponge pad (B).



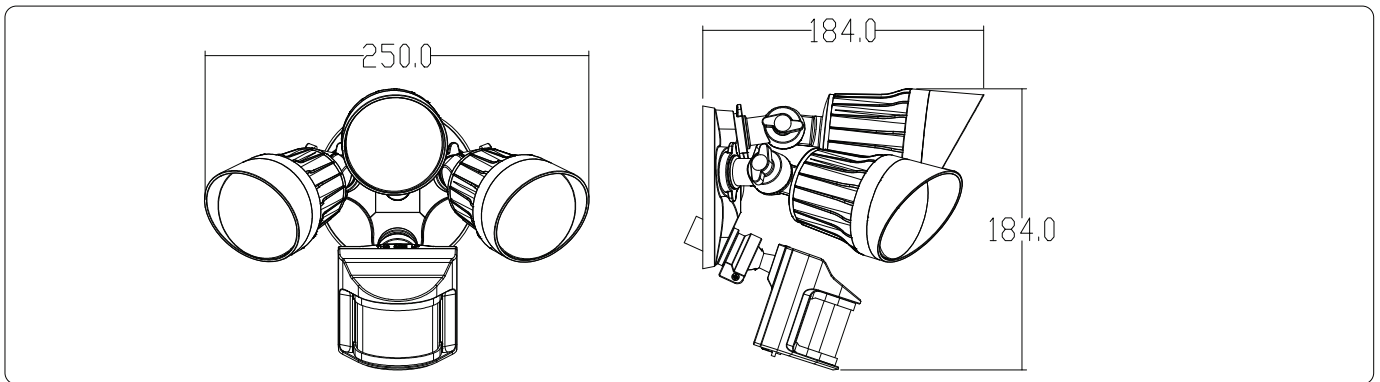
3. Installed the light on the spongy cushion and bracket by tie bolt, gasket and rubber ring.



4. Cover the screw cap, use waterproof glue seal the rear cover and the light to make sure the lamp waterproof.



Product line drawing



Kits



| Accessories name | Specification Description | Quantity |
|--|--|----------|
| First generation safety lamp screw waterproof ring | Silicone rubber\white\shaw 60 degrees\ Φ 11.5 * 7.5 * 1.5 mm | 1PCS |
| First generation safety lamp holder | Stamping \ Φ 25 * 98.5 * 10 1.7 mm thick\ galvanized iron\with M8 thread\ground hole in the side | 1PCS |
| Fastener screws | M8*65mm\ cross ball screw \ head 13mm \ tooth pitch 1.25mm\304 stainless steel | 1PCS |
| Fastener screws | M3*8mm\ cross hexagonal head anti-slip screw \ iron plated green zinc \ROHS | 1PCS |
| Fastener screws | 10 # H3/8 \ coarse thread\thread diameter 4.7 mm ball head \ american-made cross galvanized iron\ROHS | 2PCS |
| Fastener screws | American 5/32-3/4 \ ball head \ thread diameter 4.0 length 20mm \ iron galvanized | 2PCS |
| American screw terminal | P3 \ Pressure resistance 300V \ Temperature resistance 105 \ Fire rating UL94V-2 \φ12.5*22mm\ ROHS | 3PCS |
| First generation safety lamp rubber cover | Silicone rubber\white\Φ17.2*6 mm\SS-G70-XJG-A0\ in California in 65\ROHS | 1PCS |
| Generation safety lamp dust mat | EVA\white\ back glue\heat-resistant\20°C\ Φ110*55*3mm | 1PCS |

Logistics data

| Packing category | Packaging unit (Pieces/Unit) | Dimensions (mm) | Gross weight (g) | Volume |
|------------------|------------------------------|--------------------------|------------------|-----------------------|
| White box | 1/1 | 260mm x 200mm x 165mm | - g | 8.58 dm ³ |
| Outer box | 1/8 | 540 mm x 420 mm x 350 mm | - g | 79.38 dm ³ |

Disclaimer

This product data sheet provides periodic information, and the content can be updated at any time according to the actual situation of the product without notice. If caused by improper use of this product data sheet The company does not assume any responsibility for direct or indirect losses