



NAME: LED High Bay Light

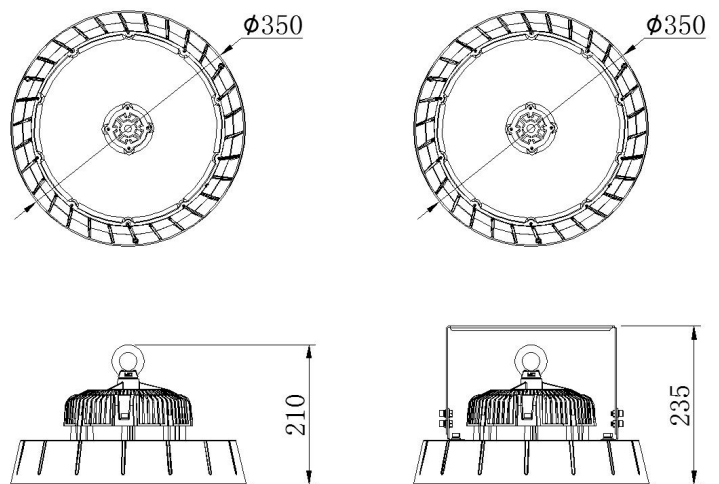
P/N: AST-HB08-240WRBCPD1-**abcd**



- Note: 1.The Letter **a** in P/N stands for Housing color,Can be any color.
 2.The Letter **b** in P/N stands for Surge-Protective Device, Can be S or blank.
 3.The Letter **c** in P/N stands for Motion Sensor, can be M or blank.
 4.The Letter **d** in P/N stands for CCT,d=CCT, 40=4000K, 45=4500K,50=5000K, 57=5700K.

Advantage:

- Input voltage 100-277Vac
- No UV or IR in the beam
- Easy to install and operate
- Energy saving, long lifespan
- Instant start, NO flickering, NO humming
- Green and eco-friendly without mercury
- Output constant current lever can be adjusted through output cable with 1-10V PWM Resistance three in one dimming.



Application:

- ◆ Warehouse, factory and workshops;
- ◆ Highway toll station and gas station;
- ◆ Exhibition hall;
- ◆ Gymnasium and supermarkets, etc.

Product Specifications

TECHNICAL DATA SHEET

Product name	LED High Bay Light
Part No	ALS-HB08-240WRBCPD1-abcd
Dimension	Φ350x210 mm or Φ350x235 mm

Technical Characteristic

Color temperature	4000K 4500K 5000K 5700K
CRI	>80
Cover	Clear PC
Lumen	33000-35000LM
Viewing Angle	110°
Input Power	240W
Input Voltage	100-277Vac 50/60Hz
Driver Brand	China Brand Driver (1-10V/PWM/Resistance three in one dimming)
Optional Accessory	Motion Sensor/Surge-Protective Device
PF	>0.9
Waterproof Rating	WET (IP65)

Materials

LED Type	2835 (0.5W)
LED QTY	680 PCS
Housing	Aluminum
Housing color	Any color
Cover	PC cover

Others

Operating Temperature	-40°C TO 50°C
Operating Humidity	10%-90% RH
Storage Temperature	-40°C TO 80°C
Storage Humidity	10%-95%
Application	Indoor
Safety Certification	UL cUL
Warranty Time	5 Years

Light Distribution Testing Parameters

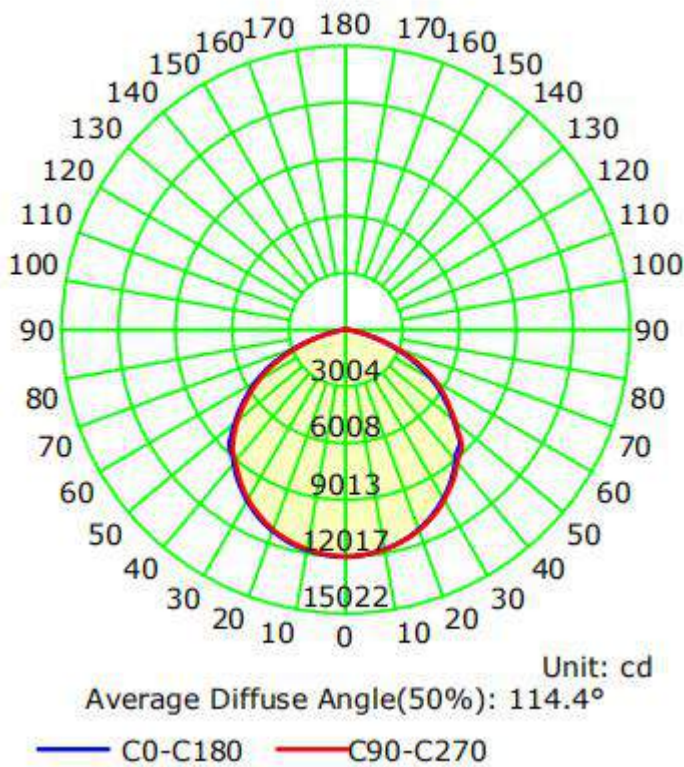
TECHNICAL DATA SHEET

Photometric Results

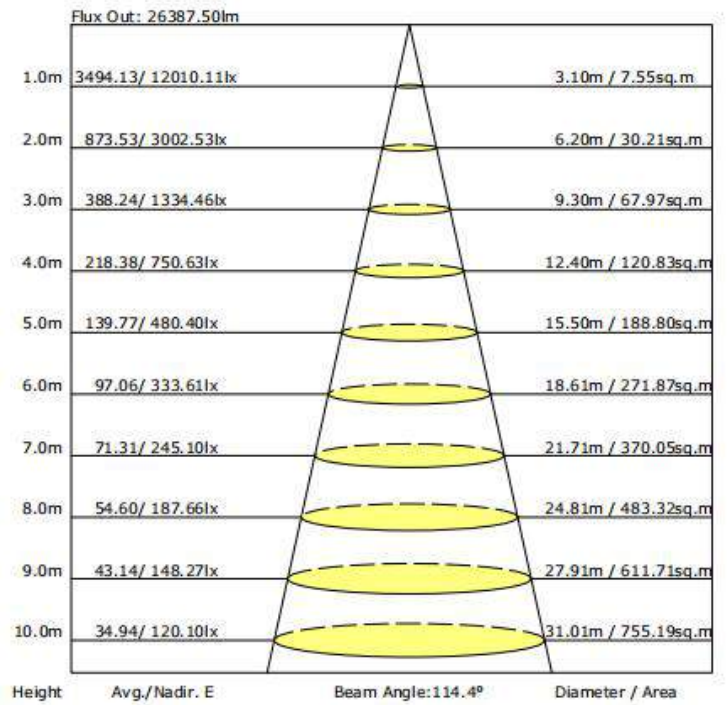
IES Classification: Type II
 Total Rated Lamp Lumens: 33876.0 lm
 Efficiency: 100%
 Upward Ratio: 0%
 Central Intensity: 12010.11 cd
 Pos of Max. Intensity: H22.5 V1

Longitudinal Classification: Very Short
 Measurement Flux: 33876 lm
 Downward Ratio: 100%
 Luminaire Efficacy Rating (LER): 143.51
 Max. Intensity: 12017.89 cd

Luminous Intensity Distribution Curve



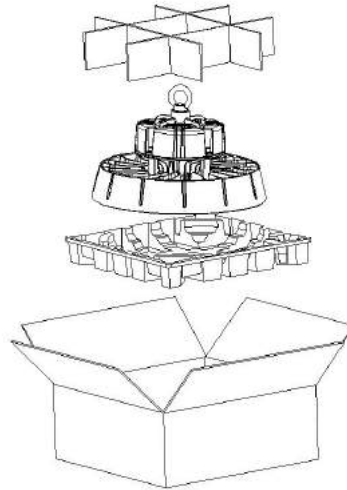
The Average Illuminance Effective Figure



Package

TECHNICAL DATA SHEET

	Size	Qty / Carton	Gross Weight / Carton
Outer box	400*400*210mm	1 PC	5.4KG



Notice For User

- ◆ Please turn off power before install or change assembly parts.
- ◆ The input voltage and lamps should be matched, after connecting the power line, Please make sure the wiring section is insulated.
- ◆ No-professionals, must not install and disassemble the lamps.

Trouble Shootings

Troubles	Check points
Flickering of the light	Turn off the power and turn on again in 3 minutes. If same phenomena occur, then call agencies.
Out of working	Please check the connection.